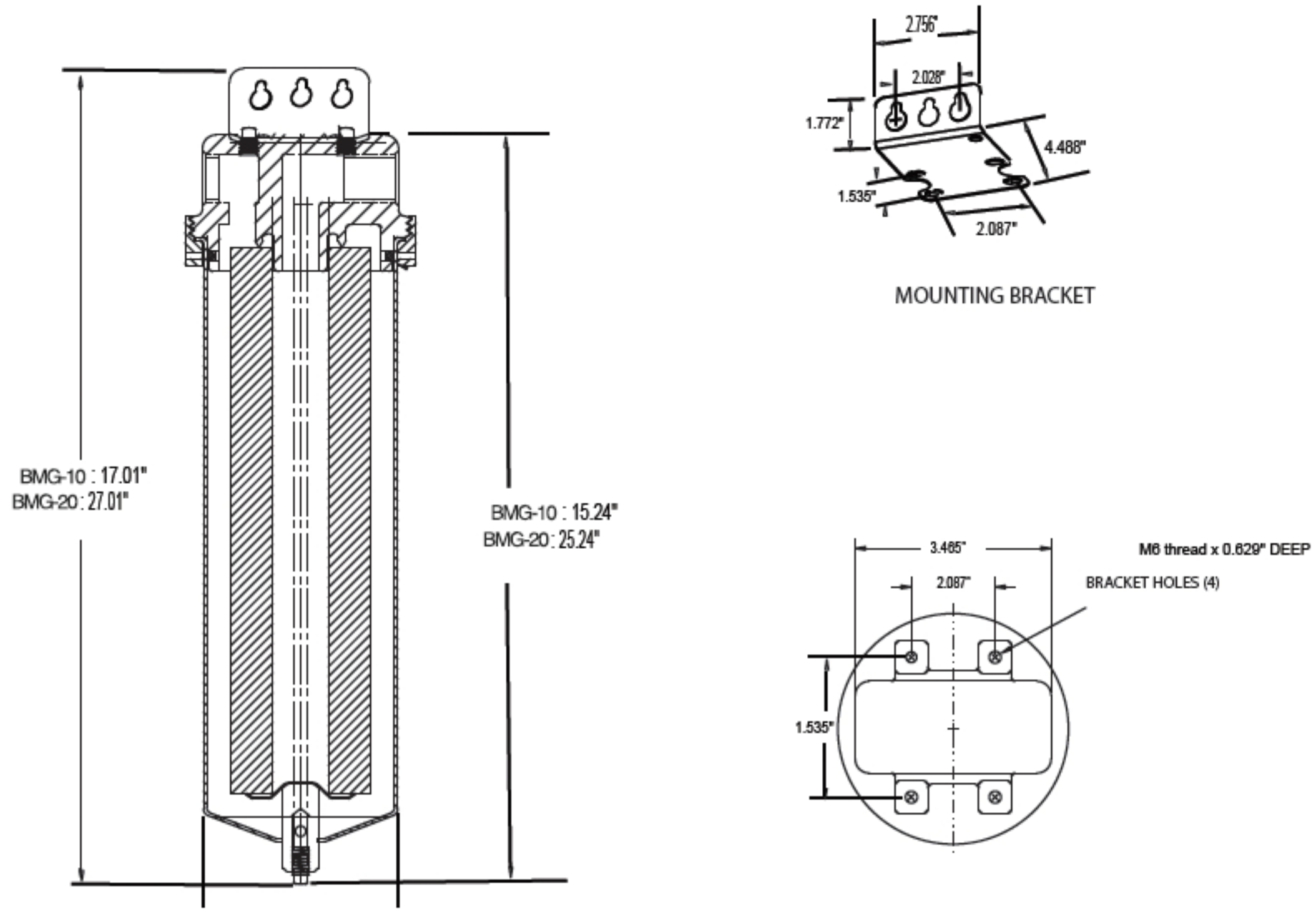


MODEL	QUANTITY (LENGTH) OF CARTRIDGES	MAXIMUM FLOW RATE* GPM (LPM)	MAXIMUM DIAMETER CARTRIDGE	DRAIN SIZE	DIMENSIONS	
BMG-10	1 (10")	125(47.3)	4 1/2"	1/4"	as drawing	as drawing
BMG-20	1 (20")	25(94.6)	4 1/2"	1/4"	as drawing	as drawing

* Based upon 12.5 (47.3 lpm) per 10" cartridge length with a 25 micron wound cartridge at 2 PSID clean and a viscosity of 1 cps. Flow rates are guidelines only. Actual flow rates are based upon fluid, viscosity, cartridge type, micron ratings and other factors

Dimensions



Ordering Guide (Example: BMG-108-304-B)

MODEL	CARTRIDGE LENGTH	PIPE SIZE FNPT	MATERIAL	GASKET
BMG	10=9 3/4" 20=20"	8=1"	304=304L SS	B = Buna N (Standard) E = EPR V = Viton

Customization

Housings may be customized to meet your precise requirements. Contact BML's technical support staff or your distributor for more information.